

■ CC1型低壓溫度補償型瓷介電容 CC1 TEMPERATURE COMPENSATED CAPACITOR

● 特性 FEATURE:

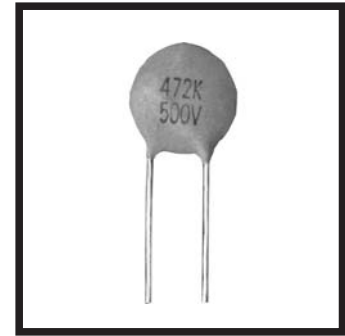
損耗低、容量穩定性高，電容量變化與溫度呈線性關係。多種溫度系數，適用於諧振回路及溫度補償效應的電路。

Low DF, stable capacitance, the linear capacitance change with temperature. Designed from all series T.C suits for resonant circuit and temperature compensated circuit.

● 使用溫度範圍: -25°C ~ +85°C

Operating Temperature Range: -25°C ~ +85°C

● 容量範圍 Capacitance Range:



| 尺寸D _{Max} (mm) Dimension | 容量範圍(Capacitance Range) PF | | | 工作電壓(U _R) operating voltage |
|---|----------------------------|--------------|------------|---|
| | NPO (CH) | N750 (UJ) | SL | |
| 4.0 | 1 ~ 15 | 5 ~ 68 | 1 ~ 120 | 50 ~ 500V |
| 4.5 | 1 ~ 30 | 10 ~ 100 | 30 ~ 150 | |
| 5.0 | 22 ~ 50 | 70 ~ 150 | 150 ~ 220 | |
| 6.0 | 47 ~ 68 | 82 ~ 180 | 180 ~ 250 | |
| 7.0 | 70 ~ 82 | 100 ~ 200 | 240 ~ 330 | |
| 8.0 | 86 ~ 100 | 160 ~ 220 | 360 ~ 470 | |
| 9.0 | 100 ~ 120 | 200 ~ 260 | 500 ~ 560 | |
| 10.0 | 120 ~ 150 | 270 ~ 330 | 600 ~ 680 | |
| 12.0 | ----- | 330 ~ 560 | 820 ~ 1000 | |

● 試驗電壓 Test Voltage: 2.5U_R.

● 絕緣電阻 I.R.: Insulation resistance R_i ≥ 10000MΩ.

● 損耗角正切值 tangent of loss angel

5PF ≤ C ≤ 30PF, tg δ ≤ 1/(400+20C)

C > 30PF, tg δ ≤ 0.0015

C < 5pF時按照客戶與生產商協商確定

Please consult your requirements to factory

圓片瓷介電容器
CERAMIC DISC CAPACITOR

• 訂貨方式 HOW TO ORDER

$\frac{CC1}{1}$ — $\frac{F}{2}$ $\frac{7}{3}$ $\frac{SL}{4}$ $\frac{1}{5}$ $\frac{B}{6}$ $\frac{331}{7}$ $\frac{J}{8}$ $\frac{S}{9}$ $\frac{P}{10}$ $\frac{W}{11}$

1、產品類型 Capacitor Type Code

| 類 型 | Type | |
|---------------|------|--|
| 低壓溫度補償瓷介電容器 | CC1 | Low voltage temperature compensated disk ceramic capacitor |
| 高壓溫度補償瓷介電容器 | CC81 | High voltage temperature compensated disk ceramic capacitor |
| 低壓高電介質常數瓷介電容器 | CT1 | Low voltage high dielectric constant disk ceramic capacitor |
| 高壓高電介質常數瓷介電容器 | CT81 | High voltage high dielectric constant disk ceramic capacitor |
| 半導體瓷介電容器 | CS1 | Semiconductor dielectric insulator disk ceramic capacitor |
| 交流瓷介電容器 | CT7 | Alternating current disk ceramic capacitor |

2、額定電壓 Rated voltage

| 代號 Letter symbol | D | E | F | G | J | K | L | N | M | P | Q | X | Y |
|-----------------------|-----|-----|-----|------|------|------|------|-----|-----|-----|-----|--------|--------|
| 額定電壓 rated voltage | 16V | 25V | 50V | 100V | 160V | 250V | 500V | 1KV | 2KV | 3KV | 4KV | 250VAC | 400VAC |

3、片徑直徑 Diameter

| 代號 symbol | 4 | 5 | 6 | 7 | 8 | 9 | 10 | 12 |
|----------------|-----|-----|-----|-----|-----|-----|------|------|
| 直徑diameter(mm) | 4.0 | 5.0 | 6.0 | 7.0 | 8.0 | 9.0 | 10.0 | 12.0 |

4、溫度特性見溫度系數及EIA代碼表：

Temperature coefficient: Please consider temperature characteristics and EIA code

5、引線形式 Lead style

| 代號 symbol | 引線形式 | Style |
|-----------|-------------|-----------------------------|
| 1 | 直腳(長23mm)b式 | Straight lead (length 23mm) |
| 2 | 直腳(長17mm)b式 | Straight lead (length 17mm) |
| 3 | 切腳(短腳) | Cutting lead (short lead) |
| 4 | 編帶直腳型(b式) | Tape straight lead |
| 5 | 編帶小內彎型(a型) | Tape small inside kink |
| 6 | 編帶大內彎型(a型) | Tape large inside kink |
| 7 | 雙內彎(c式) | Double inside kinks |
| 8 | 雙外彎(c式) | Double outside kinks |
| 9 | 外單彎(w式) | Outside kink |

6、脚距 Lead Spacing

| 代碼 symbol | Lead spacing(mm) |
|-----------|------------------|
| A | 2.5±0.5 |
| B | 5.0±0.5 |
| D | 7.5±0.5 |
| E | 10.0±0.5 |

7、標稱容量 Standard capacitance

| 1R0 | 1PF | 注：標稱容量以pF為單位，用3位數字表示。前兩位數字表示有效數字，第三位為0的個數；R表示小數點。 Note: The unit of standard capacitance if consisting of 3 digits, the first and second digits stand for effective value of the Standard capacitance; third digit indicates the number of zeros; "R" indicates decimal. |
|-------|--------|---|
| 4R7 | 4.7PF | |
| 100 | 10PF | |
| 560 | 56PF | |
| 821 | 820PF | |
| 102 | 1000PF | |
| ----- | ----- | |

8、允許偏差見EIA代碼表:

Capacitance tolerance, Please consider EIA code

| 代號Code | J | K | M | S | Z |
|-------------|-----|------|------|-----------|-----------|
| 誤差Tolerance | ±5% | ±10% | ±20% | +50%/-20% | +80%/-20% |

9、包裝形式 Packing style

| 代碼 symbol | 包裝形式 | Packing style |
|-----------|------|---------------|
| T | 盒帶包裝 | Tape |
| S | 散包裝 | bulk |

10、包封形式 Enclosure style

| 代號 code | 包封形式 | Enclosure style |
|---------|------|-----------------|
| E | 環氧包封 | Epoxy resin |
| P | 酚醛包封 | Phenol resin |

11.W-表示無鉛產品 Lead-Free

• 溫度系數 TEMPERATURE CHARACTERISTICS

| 材料溫度系數及允許偏差:×10 ⁻⁶ /°C | 材料 | EIA代碼 | JIS、GB代碼 |
|-----------------------------------|----------------|------------------|------------------------|
| 0±60 | NP0 | C0H | CH |
| -750±120 | N750 | U ₂ J | UJ or U ₂ J |
| +140~-1000 | P140~N1000(SL) | S ₂ L | SL or S ₂ L |

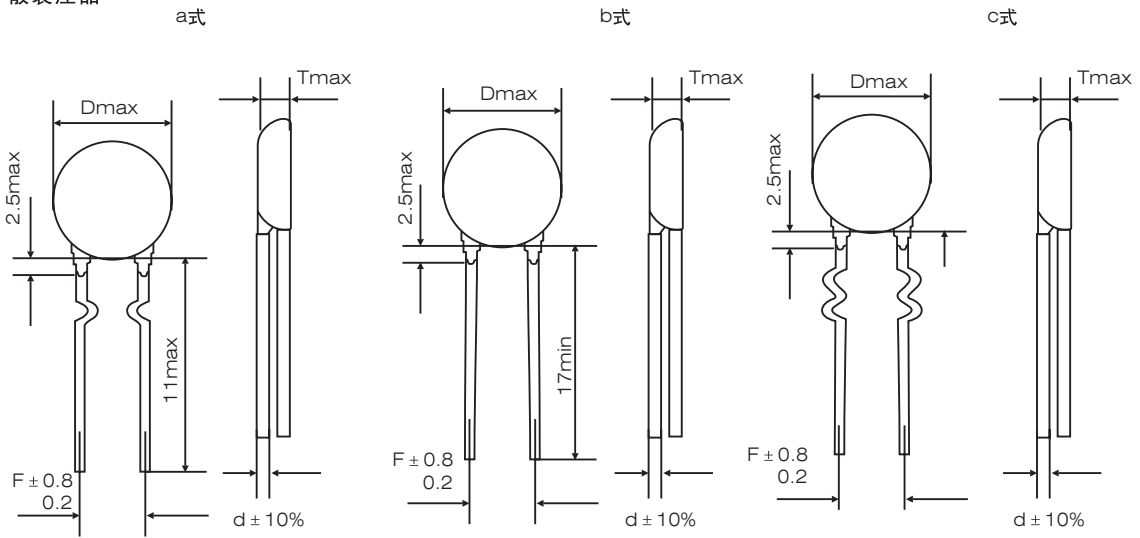
圓片瓷介電容器
CERAMIC DISC CAPACITOR

● EIA代碼 EIA CODE

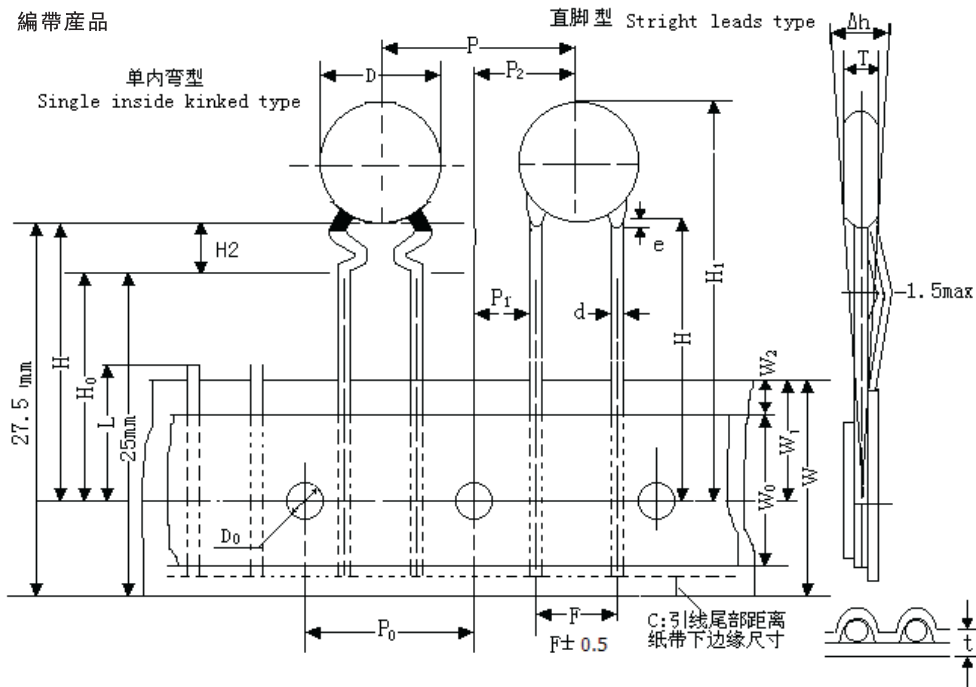
| 第一位數 The First Letter | 第二位數 The Second Letter | 第三位數 The Third Letter |
|--------------------------|---------------------------|--------------------------|
| Y: -25°C | 5: +85°C | P: ±10% |
| Z: +10°C | 7: +125°C | R: ±15% |
| | | U: +22% -56% |
| | | V: +22% -82% |

● 外形尺寸 DIMENSIONS

散裝產品



編帶產品



注：引脚距離和引線形式常規按EIA和JIS的標準執行。同時我們可以根據客戶要求，做出符合客戶使用的引腳距離和引線形式。
NOTE: Lead style and distance are fit of JIS and EIA standard. Other we can produce with customers requirement.